



## Stereo Coder

### MAIN CHARACTERISTICS:

- Left and Right peak level on front panel display
- 19kHz suppression audio filters with high selectivity and very flat response
- Excellent attenuation for the frequencies over 19kHz
- High stereo separation
- L & R balanced and unbalanced input with level adjustment
- MPX output on BNC connector
- Selectable pre-emphasis

The Elettronika 'Stereo Coder' is an equipment for broadcast use designed with innovative technologies in order to offer an advanced stereophonic radio system with exceptional performances.

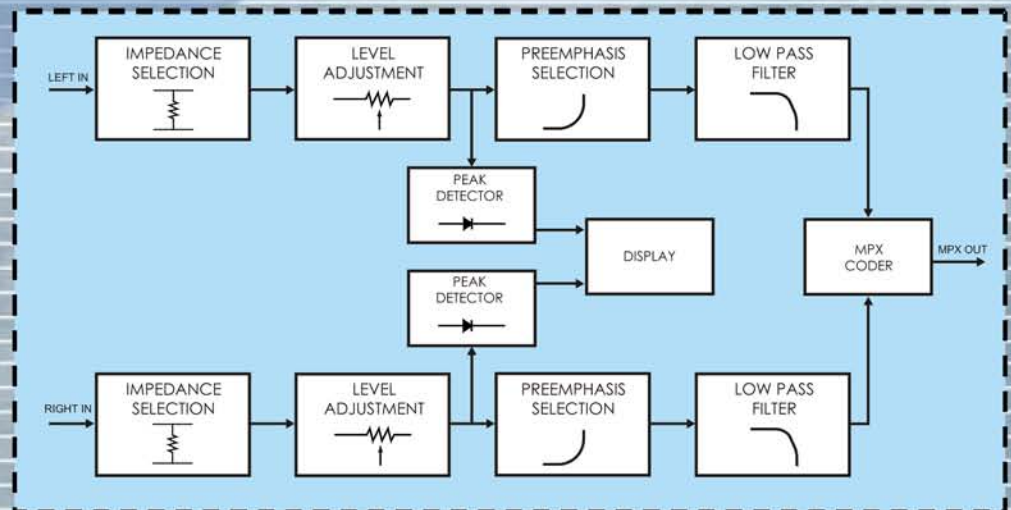
In addition to offer a great stereo separation between channels, the 'Stereo Coder' ensure a sound transparency never achieved and a total stability of performance over the time. Its great dynamic range and the very low audio signal distortion place this equipment among the best in its category.

The equipment is of immediate

installation and it is not required any calibration to obtain the perfect fitting with all transmission systems. The display on the front panel gives, in a short, the peak measure of the two signal inputs. Elettronika equipment is severely tested with highly accurate and professional laboratory testing instrumentation and is guaranteed by the ISO-9001 Quality Certification which ensures a perfectly managed production phase. Elettronika equipments are currently used by valuable worldwide customers, which is the best certification for in-field performance over different operating environments.



▲ Rear panel





## STEREO CODER

# Technical characteristics

### LEFT AND RIGHT INPUTS

Impedance	600 $\Omega$ / 10k $\Omega$ , balanced / unbalanced (jumper selectable)
Connector	XLR
Audio input level	2 Vpp Nominal (adjustable from rear panel)
Pre-emphasis	Flat, 50 $\mu$ s, 75 $\mu$ s
Frequency response	$\pm$ 0.5dB 30-15kHz

### MPX OUTPUT

Impedance	50 $\Omega$
Connector	BNC
Output level	5.6 Vpp
Pilot-tone frequency	19kHz +/-0.5Hz
Crosstalk L/R	> 50dB
THD (harmonic distortion)	< 0.05% 30-15kHz
S/N ratio with CCIR not weighted filter	76dB (with 50 $\mu$ s de-emphasis)
S/N ratio with CCIR weighted filter	72dB (with 50 $\mu$ s de-emphasis)

### GENERAL

AC Power Supply	80 - 260Vac 50/60Hz
Dimensions / weight	19" 1U/3kg
Temperature	-5°C to +45°C

*These specifications are subject to change without notice*



P.O. Box 207 Geebung  
Brisbane Australia 4034  
Ph: +61 7 3504530 Fax: +61 7 3315 4683  
info@n-com.com.au www.n-com.com.au



SS 96 km 113 Z.I.  
70027 PALO DEL COLLE (BA) ITALY  
Tel. +39.080.626755 (PBX) - Fax +39.080.629262  
elettronika@elettronika.it www.elettronika.it