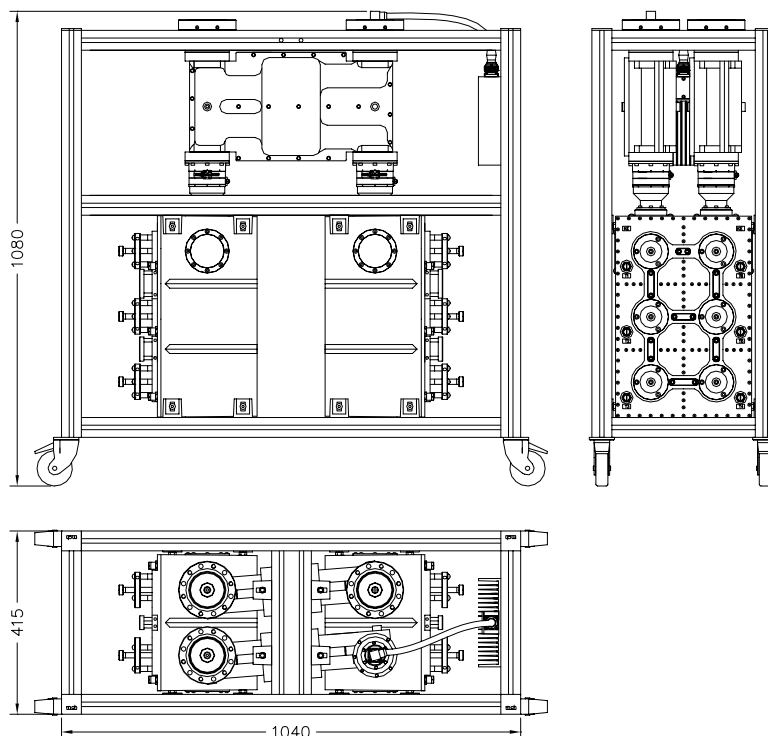


UHF DTV COMBINER

5 kW / 20 kW, Directional Filter

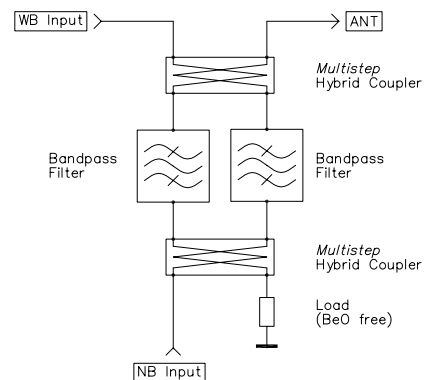
DF6E140C



TRANSMITTING COMBINERS

FEATURES

- UHF DTV directional filter channel combiner
- 5 kW NB input power, 20 kW total output power
- DVB-T and DVB-H Critical and Non-Critical Mask applications
- ATSC FCC Mask applications
- Adjacent channel combination
- *MultiStep* hybrid couplers, providing excellent matching to all ports
- 6 Poles elliptical response *DualCross* filters
- Cascadable to form multiplexers having very high isolation and constant impedance
- Very low loss
- Very compact and lightweight



SPECIFICATIONS

Frequency Range	470 – 862 MHz
Max NB Input Power	5 kW DTV (7.5 kW ATV)
Max Output Power	20 kW DTV (30 kW ATV)
Bandwidth	6 to 8 MHz
Temperature Stability	< 2 kHz / K
Operating Temperature	-5 to +45 °C
Weight (Approx)	120 kg
Connectors	3 x EIA 3+1/8" Flanged

OPTIONS

K	EIA 1+5/8" Flanged Conn.
Q	EIA 4+1/2" Flanged Conn.
0	Painted Black

TUNING DATA

	DVB 8 MHz N.C. Mask (Non Adjacent Ch.)	DVB 8 MHz C. Mask (Adjacent Ch.)	ATSC FCC Mask (Non Adjacent Ch.)	ATSC FCC Mask (Adjacent Ch.)
NB Insertion Loss	< 0.37 dB@C.F.(858 MHz) < 0.90 dB@C.F.±3.8 MHz	< 0.42 dB@C.F.(858 MHz) < 1.35 dB@C.F.±3.8 MHz	< 0.45 dB@C.F. (803 MHz) < 0.70 dB@C.F.±2.7 MHz	< 0.51 dB@C.F. (803 MHz) < 1.20 dB@C.F.±2.7 MHz
WB Insertion Loss	< 0.05 dB	< 0.12 dB	< 0.05 dB	< 0.15 dB
Selectivity	> 4 dB@V.C.±4.2 MHz > 20 dB@C.F.±6 MHz > 30 dB@C.F.±12 MHz	> 12 dB@V.C.±4.2 MHz > 24 dB@C.F.±6 MHz > 34 dB@C.F.±12 MHz	> 6 dB@C.F.±3.5 MHz > 26 dB@C.F.±6 MHz > 45 dB@C.F.±9 MHz	> 15 dB@C.F.±3.5 MHz > 30 dB@C.F.±6 MHz > 45 dB@C.F.±9 MHz
Return Loss	> 26 dB	> 26 dB	> 26 dB	> 26 dB
De-coupling	> 30 dB	> 30 dB	> 30 dB	> 30 dB
NB Group Delay Variation	< 250 ns	< 450 ns	< 150 ns	< 300 ns